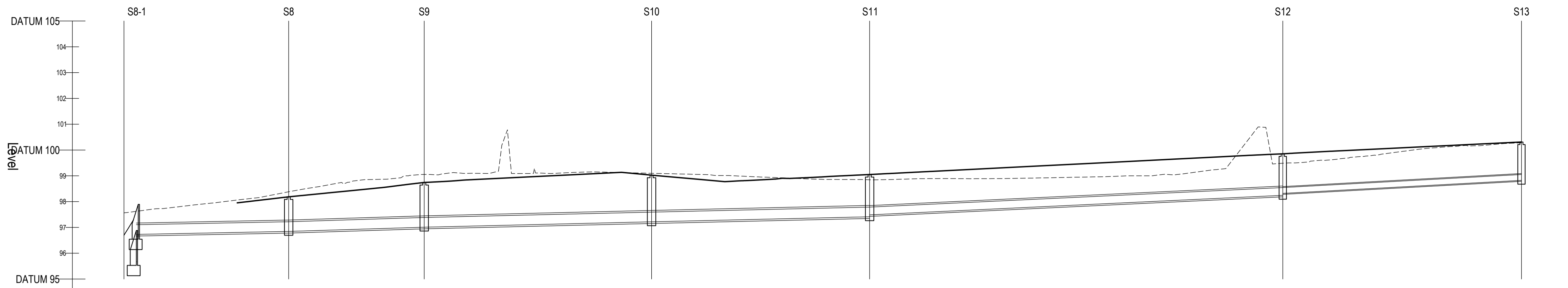
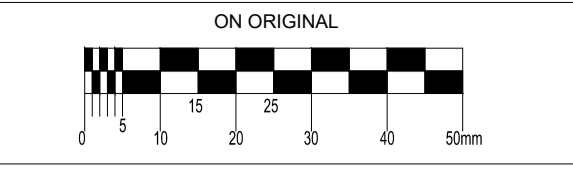


SCALE: H 1:500,V 1:100. DATUM: 95.000



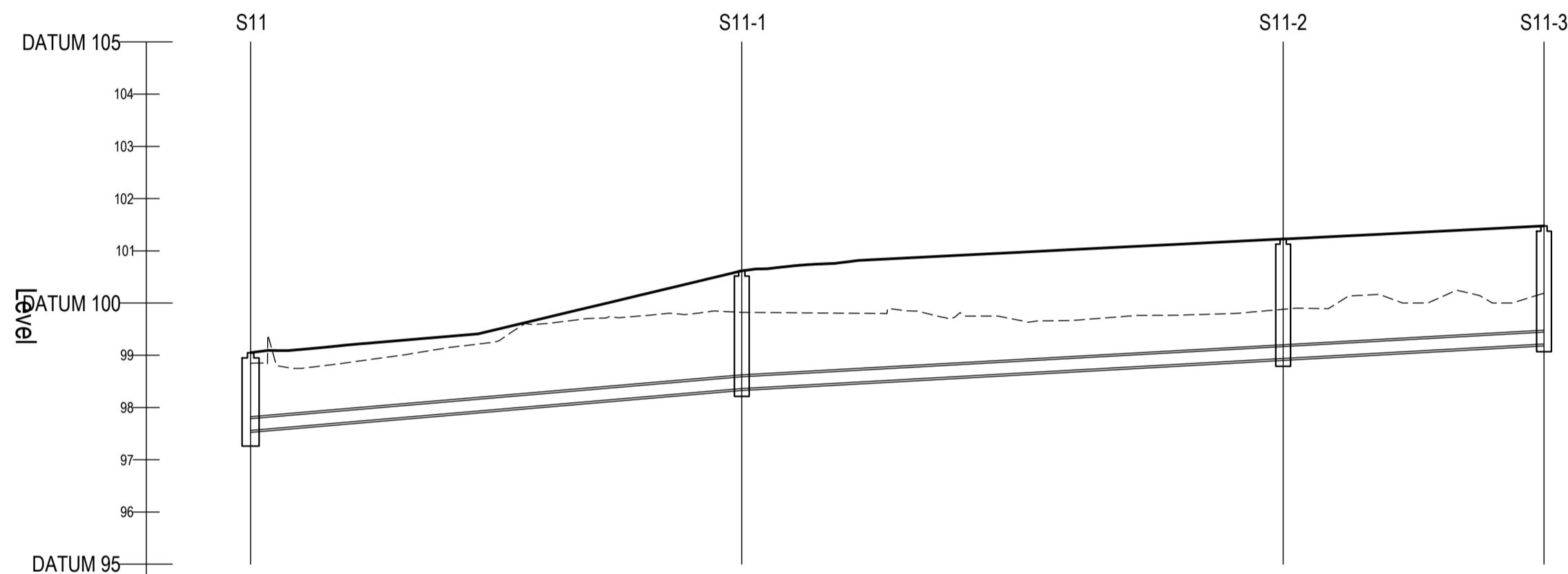
COVER LEVEL	97.470	98.186	98.743	99.026	99.950	99.952	100.311
INVERT LEVEL	96.730	96.945	97.009	97.218	97.442	98.244	98.825
DEPTH (m)	0.740	1.241	1.734	1.808	1.639	1.698	1.486
DISTANCE (m)		29.51	26.25	44.02	80.00		46.22
PIPE SLOPE		1:256	1:160	1:218	1:106		1:91
PIPE SIZE		375mm	375mm	375mm	300mm		225mm



ON ORIGINAL
 © COPYRIGHT OF THIS DRAWING IS RESERVED BY DBFL CONSULTING ENGINEERS. NO PART SHALL BE REPRODUCED OR TRANSMITTED WITHOUT THEIR WRITTEN PERMISSION.
 NO CHANGES OF WHATSOEVER NATURE ARE TO BE MADE TO ANY DETAILS SET OUT OR CONTAINED IN ANY DBFL SPECIFICATIONS OR DRAWINGS UNLESS THE EXPRESS CONSENT HAS BEEN OBTAINED IN ADVANCE, IN WRITING, FROM DBFL.

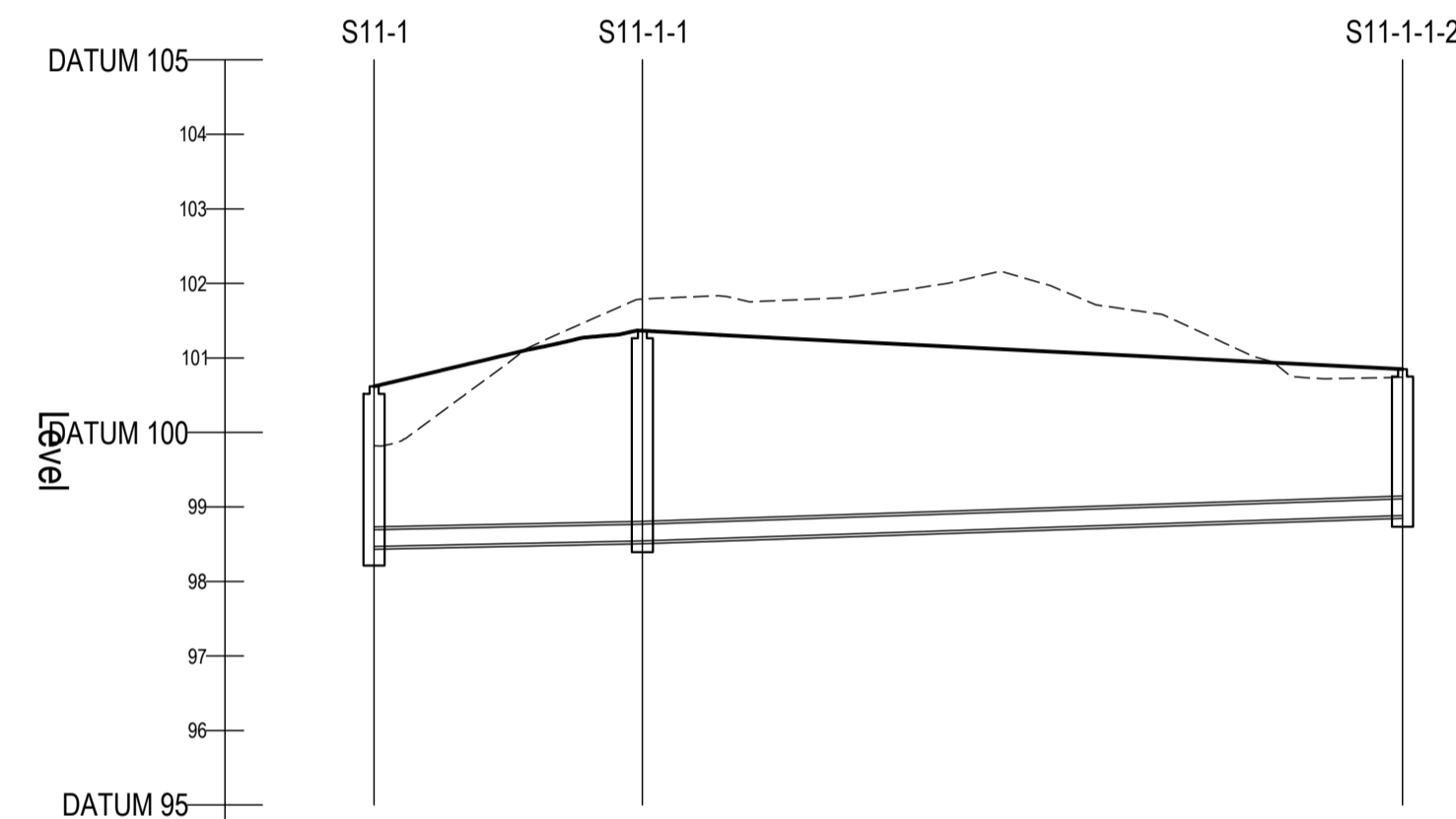
- NOTES:
1. ALL DRAWINGS TO BE CHECKED BY CONTRACTOR ON SITE AND ENGINEER INFORMED OF DISCREPANCIES BEFORE WORK COMMENCES
 2. ALL LEVELS ARE IN METRES AND ARE RELATED TO ORDNANCE DATUM
 3. CONTRACTOR SHALL SATISFY HIMSELF AS TO THE ACCURACY OF PAVEMENT LEVELS ON SITE PRIOR TO COMMENCEMENT OF WORKS ON SITE
 4. ALL WORKS TO BE CONSTRUCTED IN ACCORDANCE WITH THE NRA SPECIFICATION FOR ROAD WORKS UNLESS NOTED OTHERWISE
 5. THIS DRAWING IS FOR PLANNING PURPOSES ONLY
 6. MANHOLE COVER LEVELS ARE TO CONFORM WITH FINISHED ROAD AND PATH LEVELS
 7. WHERE COVER TO PIPE IS LESS THAN 100mm (ROAD/PATH/VERGE) OR 900mm (OPEN SPACE) SURROUND PIPE IN MINIMUM 150mm CONCRETE

SCALE: H 1:500,V 1:100. DATUM: 95.000



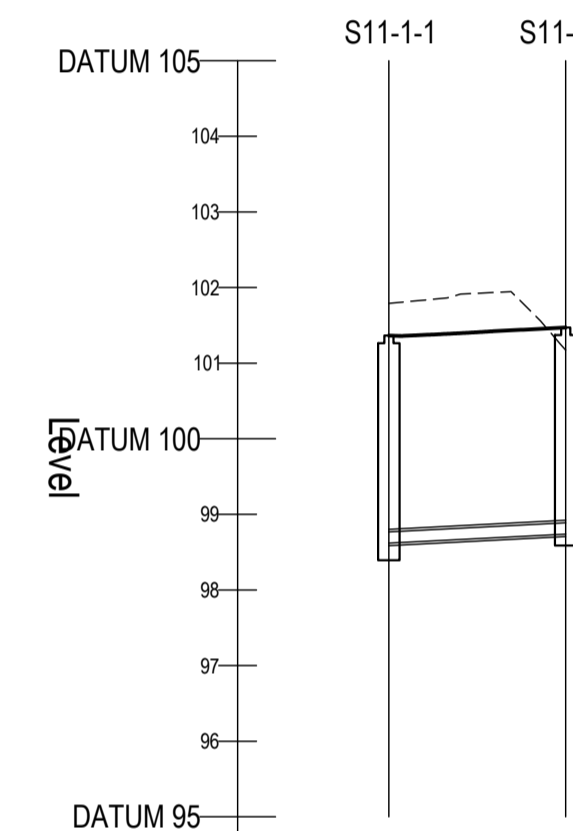
COVER LEVEL	99.650	100.617	101.227	101.476
INVERT LEVEL	97.552	98.354	98.940	99.218
DEPTH (m)	1.639	2.263	2.287	2.258
DISTANCE (m)		47.05	51.86	24.99
PIPE SLOPE		1:59	1:90	1:90
PIPE SIZE		225mm	225mm	225mm

SCALE: H 1:500,V 1:100. DATUM: 95.000



COVER LEVEL	100.617	101.365
INVERT LEVEL	98.470	98.544
DEPTH (m)	2.253	2.821
DISTANCE (m)	18.00	51.00
PIPE SLOPE	1:243	1:150
PIPE SIZE	225mm	225mm

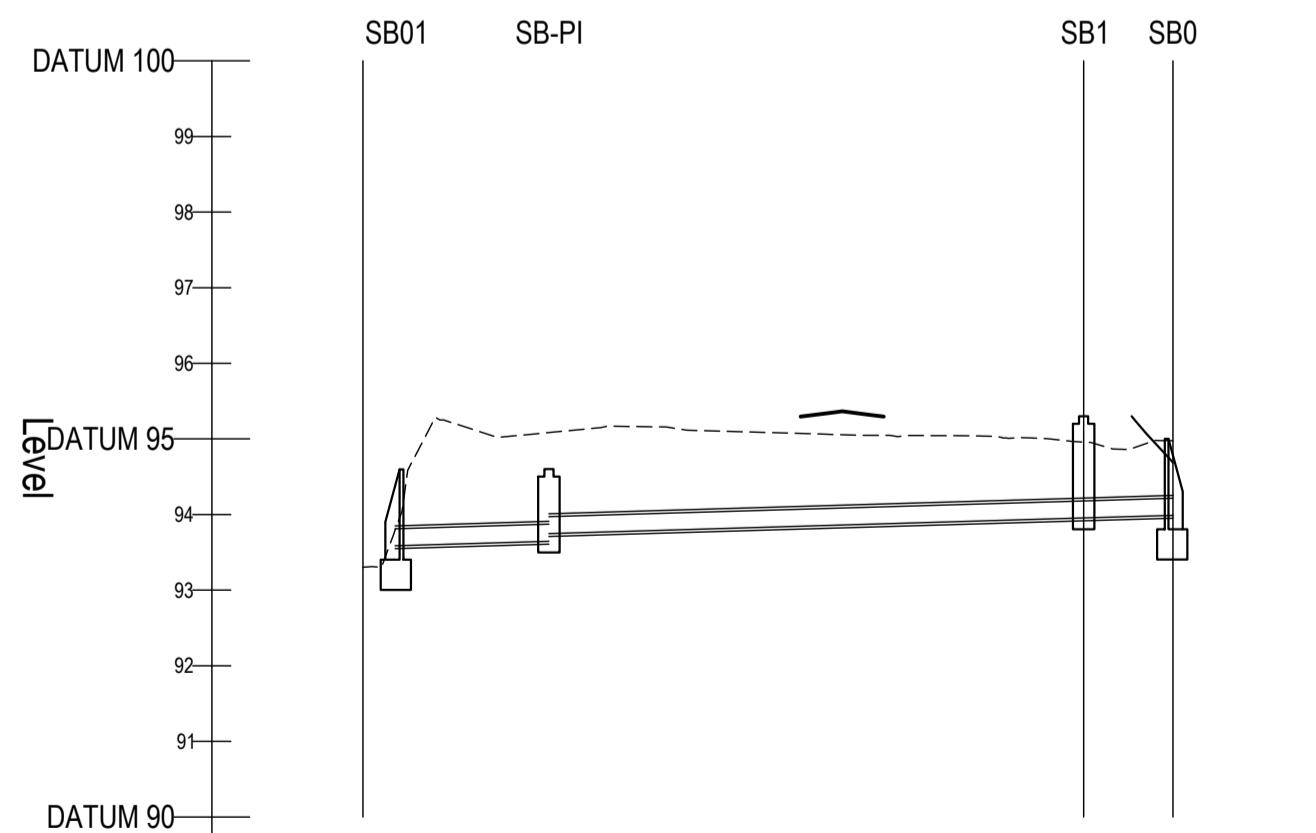
SCALE: H 1:500,V 1:100. DATUM: 95.000



COVER LEVEL	101.365	101.471
INVERT LEVEL	98.619	98.739
DEPTH (m)	2.821	2.732
DISTANCE (m)	11.70	
PIPE SLOPE	1:98	
PIPE SIZE	150mm	

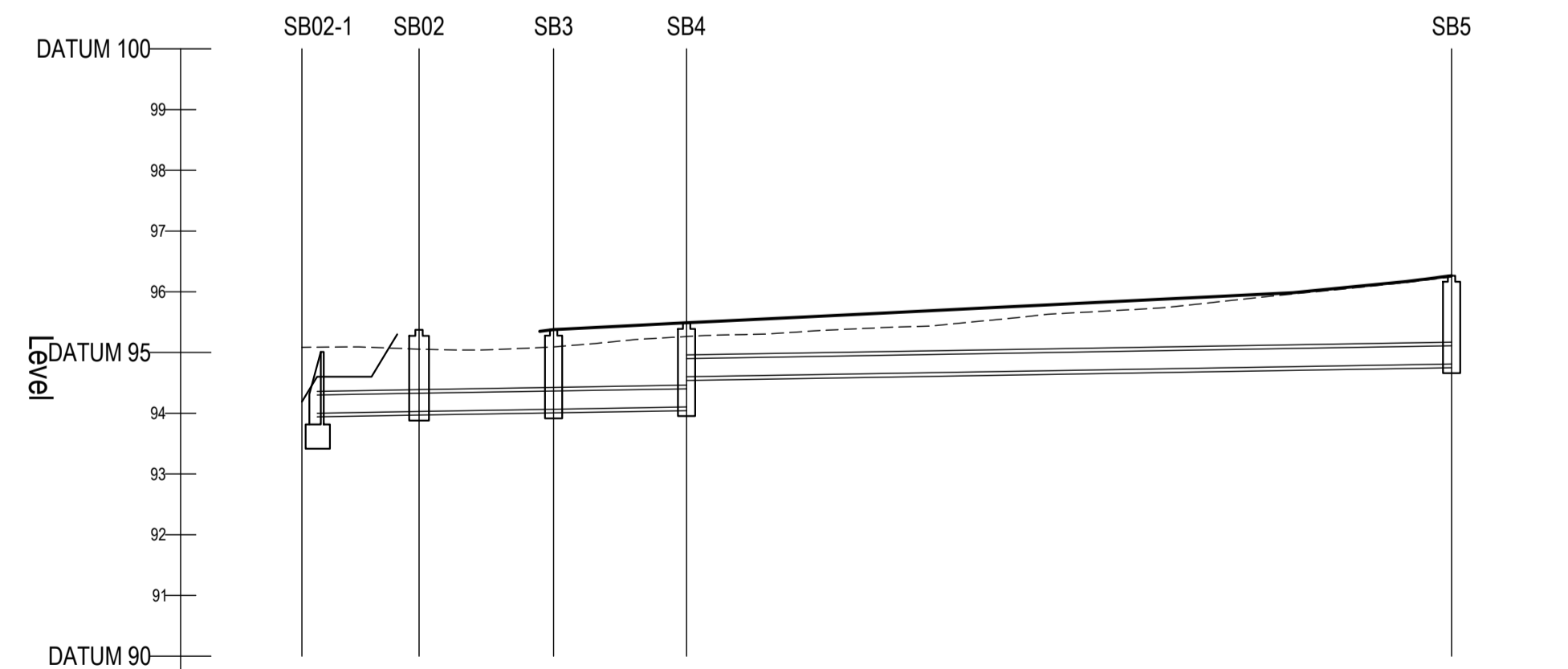
KEY
 - - - - - EXISTING GROUND PROFILE
 ————— PROPOSED GROUND PROFILE

SCALE: H 1:500,V 1:100. DATUM: 90.000



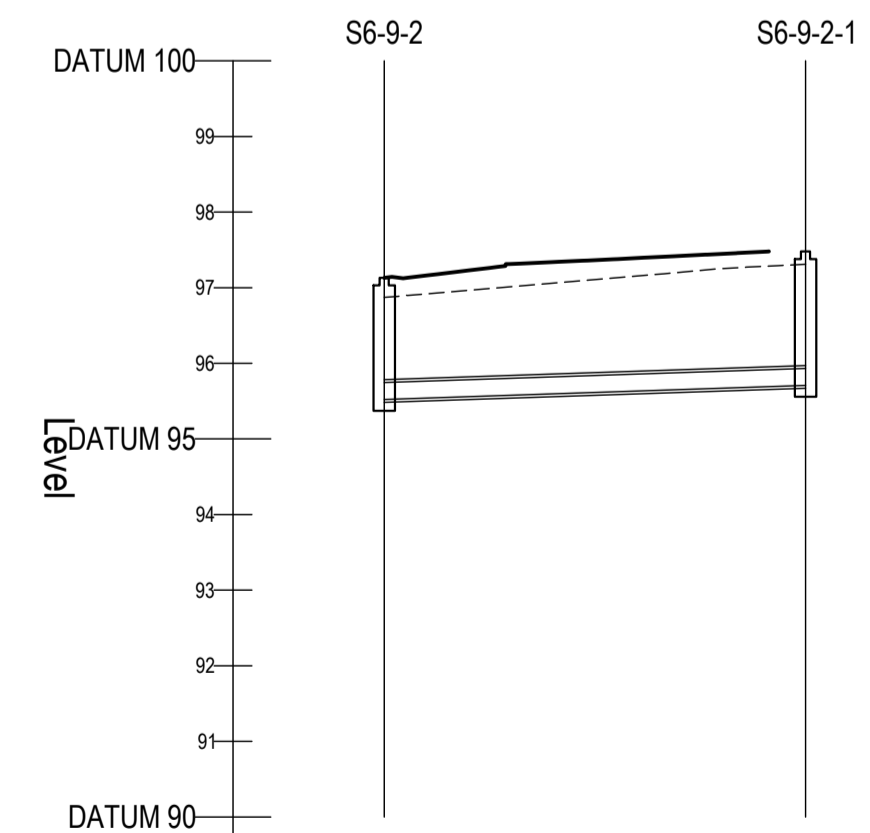
COVER LEVEL	94.160	94.801	95.259	94.938
INVERT LEVEL	93.597	93.547	93.955	93.990
DEPTH (m)	0.563	0.953	1.341	0.698
DISTANCE (m)				
PIPE SLOPE	1:170	1:170	1:170	
PIPE SIZE	225mm	225mm	225mm	

SCALE: H 1:500,V 1:100. DATUM: 90.000



COVER LEVEL	94.690	95.273	95.278	95.489	95.295
INVERT LEVEL	94.000	94.029	94.055	94.103	94.600
DEPTH (m)	0.690	1.341	1.312	1.387	1.456
DISTANCE (m)	8.39	11.09	10.95	63.02	
PIPE SLOPE	1:288	1:300	1:300	1:300	
PIPE SIZE	300mm	300mm	300mm	300mm	

SCALE: H 1:500,V 1:100. DATUM: 90.000



COVER LEVEL	97.131	97.479
INVERT LEVEL	95.522	95.708
DEPTH (m)	1.609	1.771
DISTANCE (m)	27.87	
PIPE SLOPE	1:150	
PIPE SIZE	225mm	

P01	13/06/22	STAGE 3 SHD	PJC	NGC
rev	date	description	by	chkd.
client approval	A - Approved			
	B - Approved with comments			
	C - Do not use			
suitability	S2 - INFORMATION		PLANNING	
issue purpose				

DBFL Consulting Engineers
 Civil, Structural & Transportation Engineering
 www.dbfl.ie

DUBLIN OFFICE: Ormond House, Upper Ormond Quay, Dublin 7, D07 W074
 PHONE: +353 1 454 4000
 CORK OFFICE: 14 South Mall, Cork, T12 CT91
 PHONE: +353 21 2024538
 WATERFORD OFFICE: Suite 10 The Atrium, Maritime Gate, Canada Street, Waterford, X91 W028
 PHONE: +353 51 309 500

project ref.
NEWCASTLE SOUTH
 drawing title
SURFACE WATER LONGITUDINAL SECTIONS SHEET 3
 client
CAIRN HOMES PROPERTIES LTD

designed by	author	scale	sheet size
NGC	PJC	H: 1:500 V: 1:100	A1
drawing no.	revision		
210026-DBFL-CS-SP-DR-C-3203	P01		